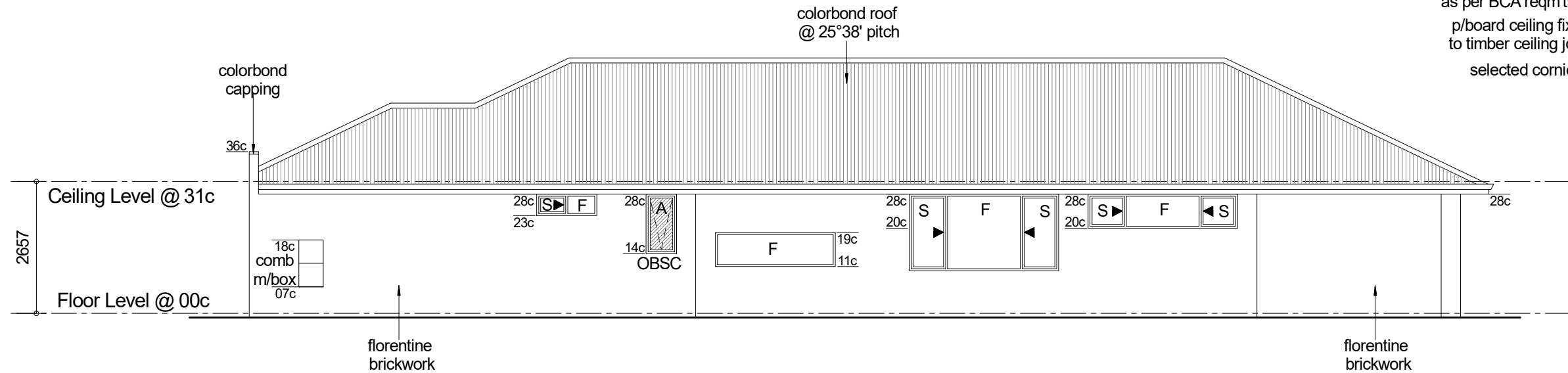


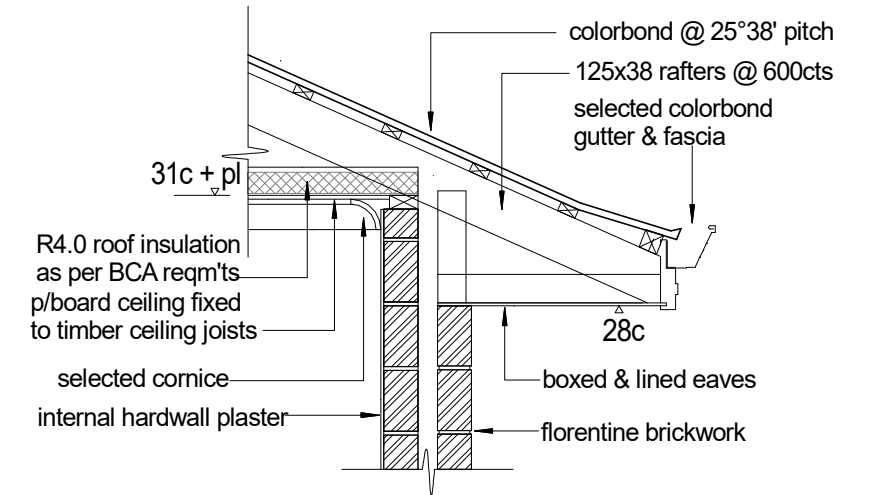
Elevation 3
scale 1:100 @ A3

note:

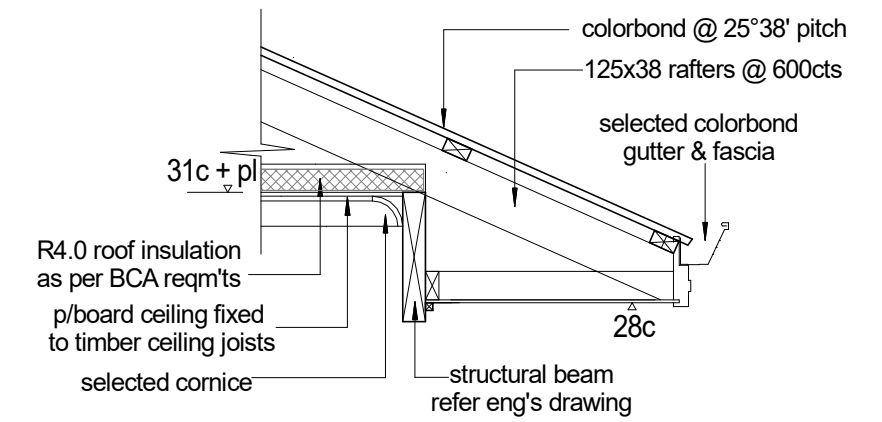
provide (2off) whirly bird roof ventilators in matching colour and roof material




Elevation 4
scale 1:100 @ A3



Detail Z
scale 1:20



Detail U
scale 1:20

client	DATE: 3/08/2019	REV. DATE:	DESCRIPTION:	JOB No.	 A & M CONSTRUCTION GROUP Amiad 0424 306 606
	BUILDING PERMIT <small>CONFIRM ALL DIMENSIONS ON SITE PRIOR TO COMMENCING ANY WORK. USE WRITTEN DIMENSIONS IN PREFERENCE TO SCALING. NOTIFY THE DESIGNER IF ANY DESCREPARNCIES OCCUR TO BE READ IN CONJUNCTION WITH ALL CONSULTANT DWGS amconstruct2016@gmail.com</small>				
site Proposed Single Storey Residence Lot 1452, Hn 10, Azima St, SOUTHERN RIVER				SHEET No.	
				A04 of 07	