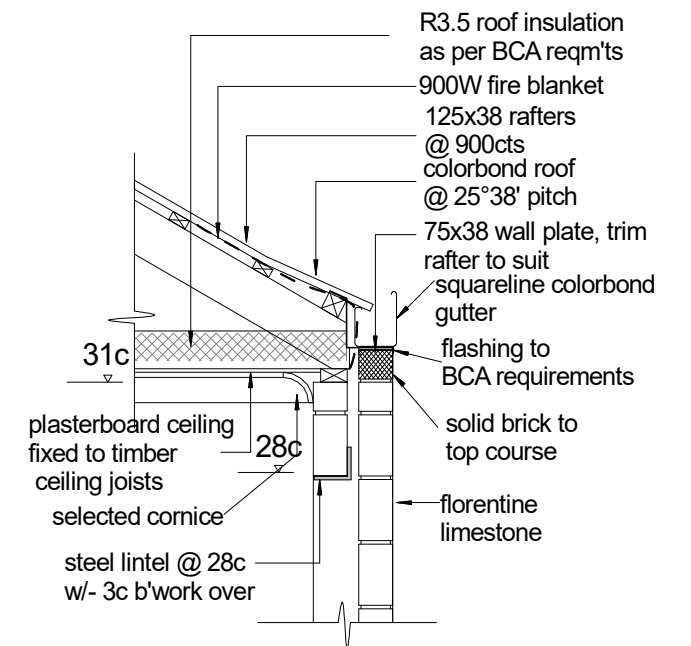


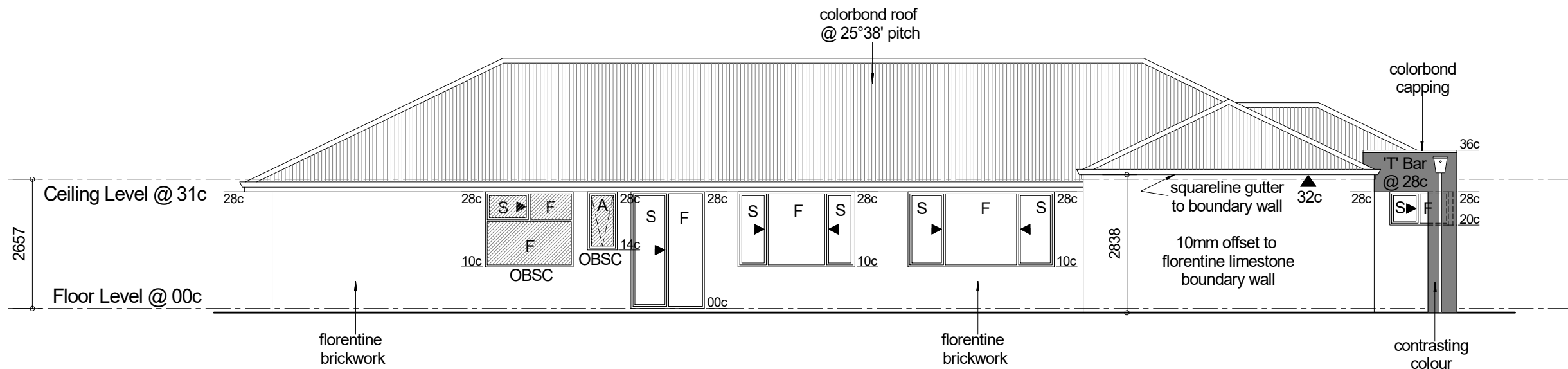
**Elevation 1 (Azima St)**  
scale 1:100 @ A3

note:

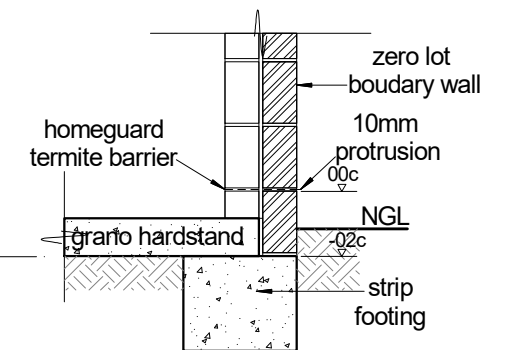
provide (2off) whirly bird roof ventilators  
in matching colour and roof material




**Detail X**  
scale 1:20



**Elevation 2**  
scale 1:100 @ A3



**Detail Y**  
scale 1:20

client	DATE: 3/08/2019	REV. DATE:	DESCRIPTION:	JOB No.	
	site	<b>BUILDING PERMIT</b>		19 - 930	
Proposed Single Storey Residence Lot 1452, Hn 10, Azima St, SOUTHERN RIVER	<small>CONFIRM ALL DIMENSIONS ON SITE PRIOR TO COMMENCING ANY WORK. USE WRITTEN DIMENSIONS IN PREFERENCE TO SCALING. NOTIFY THE DESIGNER IF ANY DESCREANCIES OCCUR TO BE READ IN CONJUNCTION WITH ALL CONSULTANT DWGS</small> amconstruct2016@gmail.com			SHEET No.	<b>A03 of 07</b> Amiad 0424 306 606
				A03 of 07	